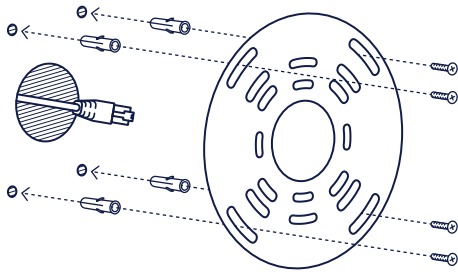
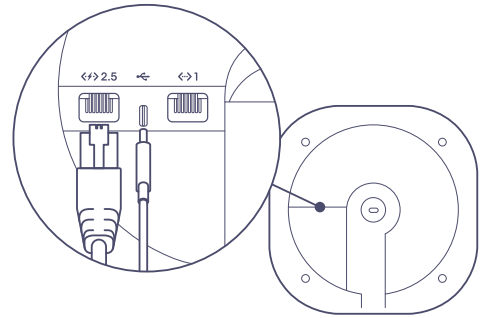


Quick Start Guide



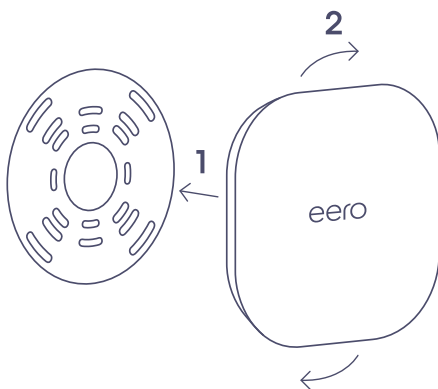
STEP 1

Mount bracket to the wall or ceiling with included mounting hardware. Thread Ethernet cable and/or power adapter cable through the center or bottom of the bracket. Use ceiling mount for optimum coverage. When using a wall mount, eero PoE 6 is best suited on walls that face towards the center of the room/house/location.



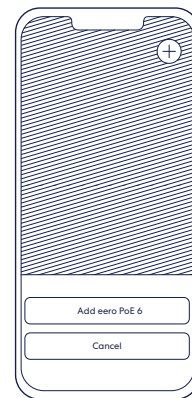
STEP 2

To power device, either plug Ethernet cable into 2.5 GbE port with a PoE power source or plug the power adapter cable into the USB-C port.



STEP 3

Attach device to the bracket and rotate to lock the device in place.



STEP 4

Open the app to add the device to your eero network.

